

## Specifications

MODEL		GTH™-4013	
MEASUREMENTS	Metric	US	
Lifting height maximum with outriggers	13.06 m	42 ft 10 in	
Lifting height maximum without outriggers	12.80 m	42 ft	
Lifting capacity maximum	4,000 kg	8,818 lbs	
Lift capacity at maximum height	3,000 kg	6,614 lbs	
Lift capacity at maximum reach	1,250 kg	2,756 lbs	
Forward reach maximum	9.14 m	30 ft	
Reach at maximum height	1.90 m	6 ft 3 in	
<b>A</b> Height	2.46 m	8 ft 1 in	
<b>B</b> Height at steering wheel	1.66 m	5 ft 5 in	
<b>C</b> Width	2.32 m	7 ft 7 in	
<b>D</b> Inside cab width	0.78 m	2 ft 7 in	
<b>E</b> Track	1.92 m	6 ft 4 in	
<b>F</b> Wheelbase	2.95 m	9 ft 8 in	
<b>G</b> Length at front wheels	4.79 m	15 ft 9 in	
<b>H</b> Length at fork-holder plate	6.06 m	19 ft 11 in	
<b>I</b> Ground clearance	0.39 m	1 ft 3 in	
<b>J</b> Overall width, outriggers extended	2.89 m	9 ft 6 in	
<b>M1</b> Obstruction angle	40°	40°	
<b>M2</b> Departure angle	46°	46°	

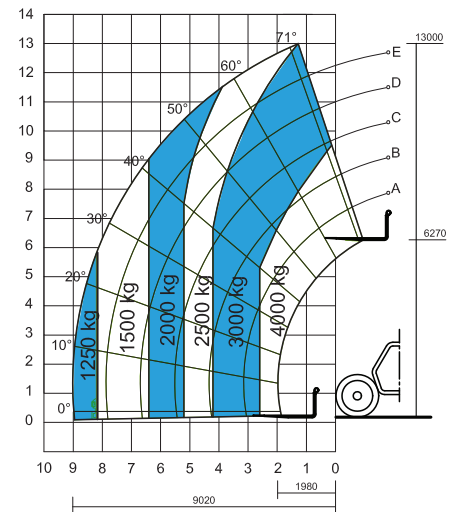
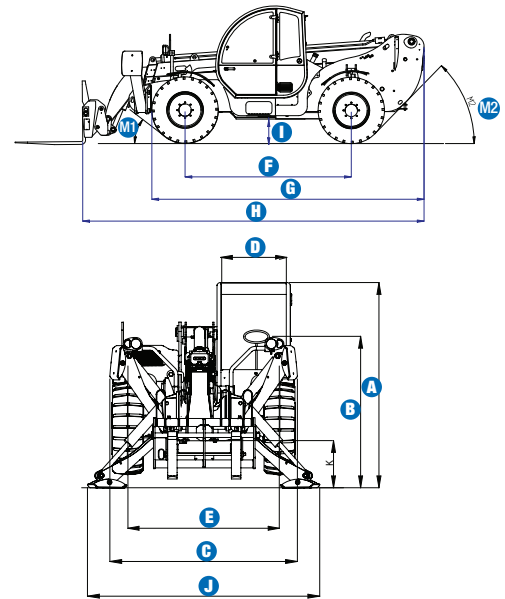
PRODUCTIVITY		
Inside/outside turning radius	2.43 m / 4.65 m	7 ft 11 in / 15 ft 3 in
Break-out force (with 800 L bucket SAE J 732)	6000 kg	13,228 lbs
Drawbar pull*	7,500 kg	12,864 lbs
Drive speed	35 km/h	22 mph
Fork-holder plate rotation	138°	138°
Chassis levelling on front axle	+/- 6°	+/- 6°
Floating forks	L 1200 mm Section 120 x 50 mm	L 3 ft 11 in Section 4.7 in x 2 in
Tyres (DIN 70361)	405/70 24" PR14 8-hole wheel rim	
Lifting/lowering speed**	11 / 9 sec	11 / 9 sec
Extension/retraction speed**	17 / 13 sec	17 / 13 sec

POWER		
Engine	Perkins 1104 D-44T 4-cylinder turbo diesel 74.5 kW (100 hp), Tier 3	
Tank capacities		
Petrol	135 L	35.7 gal
Engine oil	7 L	1.8 gal
Hydraulic oil	150 L	39.6 gal

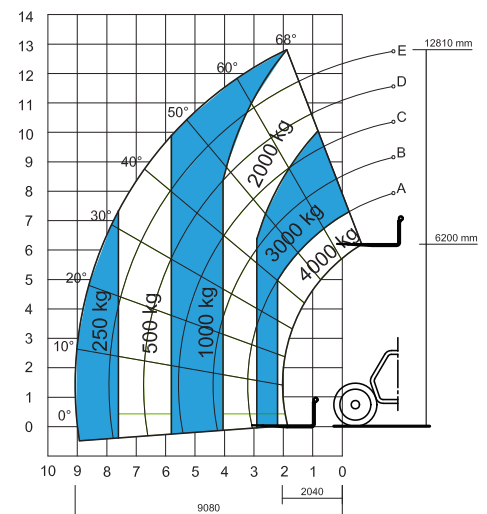
WEIGHT		
Weight***	10,960 kg	24,163 lbs

STANDARDS COMPLIANCE	AS 1418.19, EN 1459 EU Machinery Directive 98/37/CE Operating cab conforms to ISO3471 (ROPS) and ISO3449 (FOPS) Low emission engine conforms to EU Directive 97/68/EC stage III
----------------------	--

\* Maximum load  
 \*\* Without load  
 \*\*\* Weight will vary depending on options and/or country standards  
 \*\*\*\* Load ratings vary depending on attachment



Lift capacity chart (with outriggers)\*\*\*\*



Lift capacity chart (without outriggers)\*\*\*\*

EN1459, Annex B

## Features

### STANDARD FEATURES

#### MEASUREMENTS

- 4,000 kg (8,818 lb) maximum lift capacity
- 13.06 m (42 ft 10 in) maximum lift height
- 9.14 m (30 ft) maximum forward reach

#### PRODUCTIVITY

- 4WD
- Four wheel steer
- Three steering modes:
  - Front wheel steer
  - Crab steer
  - Coordinated steer
- Hydraulic line on boom
- Power assisted steering
- Front outriggers
- Hydrostatic transmission with variable displacement pump and motor electronically controlled
- Two-speed mechanical gearbox
- Multifunction electro-proportional joystick
- Limited slip differential on front axle
- Chassis levelling on front axle +/- 6°
- Floating forks
- Quick coupling of attachments from cab
- Two-section door (glass upper/steel lower)
- Angle and length indicators on boom
- Adjustable suspended seat
- Large diameter steering wheel
- Front and rear windscreen wipers
- Sunshield
- Roof protection grid
- Two side rear view mirrors
- Front and rear lights
- Windshield protection grid
- Side mounted engine for easy access to components
- Oil immersed multi-disc brake on both axles
- Lockable fuel tank

### STANDARD FEATURES cont.

- Load Management System (LMS) with:
  - Load moment indicator with LEDs
  - Audible alarm
  - Automatic lock-out of boom extension, lifting and lowering
  - Automatic lock-out of outriggers
- Automatic lock-out of rear axle
- Maintenance collar
- Hydraulic inching
- Road/Jobsite switch

#### POWER

- Perkins turbo diesel 74.5 kW (100 hp), Tier 3

#### TYRES

- 405/70-24" tyres

### OPTIONS & ACCESSORIES

#### PRODUCTIVITY

- Air conditioning
- Hydraulic Winch pre-arrangement on boom
- Man-platform / Emergency hydraulic pump pre-arrangement
- Emergency pump kit
- Adjustable spotlight on boom including cable reel and cable bracket
- Adjustable spotlight on cab
- Fish eye rear view mirror in the back
- Water muffler
- Spare wheel
- Foam filled tyre
- Rear wheels alignment sensor
- AM/FM radio with CD player

#### ATTACHMENT OPTIONS

Genie has a large range of attachments available. Please contact Genie or your nearest Genie telehandler dealer.



### Genie Australia – Toll free number 1800 788 633

**Brisbane (Head Office)**  
33 Kimberley Street  
Darra QLD 4076

**Sydney**  
74 Glendenning Road  
Glendenning NSW 2761

**Melbourne**  
374 Hammond Road  
Dandenong VIC 3175

**Perth**  
83 Bannister Road  
Canning Vale WA 6155

### Genie United States Distributed by:

18340 NE 76th Street  
P.O. Box 97030  
Redmond, Washington  
98073-9730