



AL8000 HT

LIGHT TOWER

LIGHT TOWER AL8000 HT



The unique articulated hydraulic mast is ideal for the mining industry, as well as use on railroad, municipal and large construction sites.

Features

Articulated hydraulic mast provides maximum flexibility and control for quick, effortless light positioning.

8.5m vertical height, 6.0m horizontal outreach and 359 degree powered rotation.

2.5m stowed length provides for ease of transport for towing or transportation on a trailer or container.

Environmental spill containment to meet local regulations or for use in sensitive areas.

100 km/h towing speed for ease of transport.

100 km/h wind speed rating for max flexibility on site.

Individual plug-in ballasts installed in galvanized steel boxes. Can be replaced without disconnecting wiring terminals.

Control panel is inside, away from the elements. Houses main and branch circuit breakers and hourmeter.

Galvanized outriggers with pre-set position stops ensure quick and proper spacing.

Single point lifting eye and forklift pockets provide for easy loading and unloading.

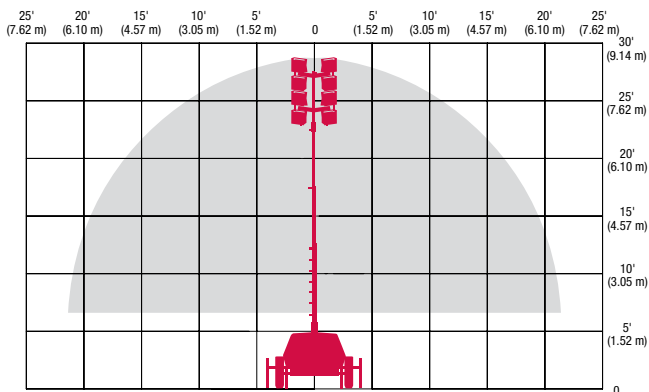
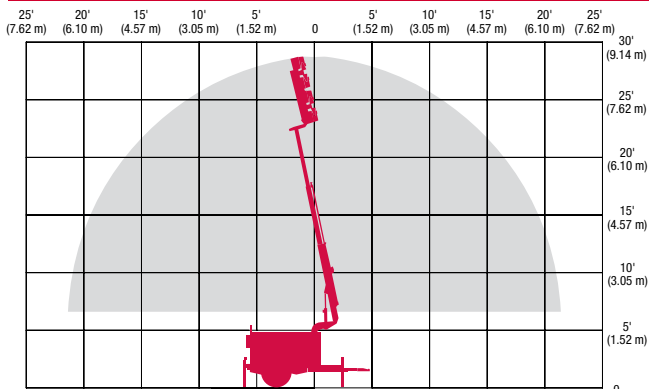
Australian mining configuration designed specifically to meet Australian regulations and mining application requirements.

Light Tower AL8000 HT

Specifications - Standard Unit

Lamps	Metal Halide 8 x 1,000 W
Generator	Brushless 60 Hz, 12 kW
Mast Rotation	359° powered rotation
Light Bar Tilt	180°
Individual Light Pivot	180° front-to-back, 360° side-to-side
Engine	12kW-16 hp Kubota Diesel
Fuel Capacity	60 gal 221 L
Wheel Size	16 in (40 cm)
Axle Rating	4,200 lbs (1,905 kg)
Tongue weight travel position	350 lbs (159 kg)
Total weight no fuel	3,300 lbs (1,500 kg)

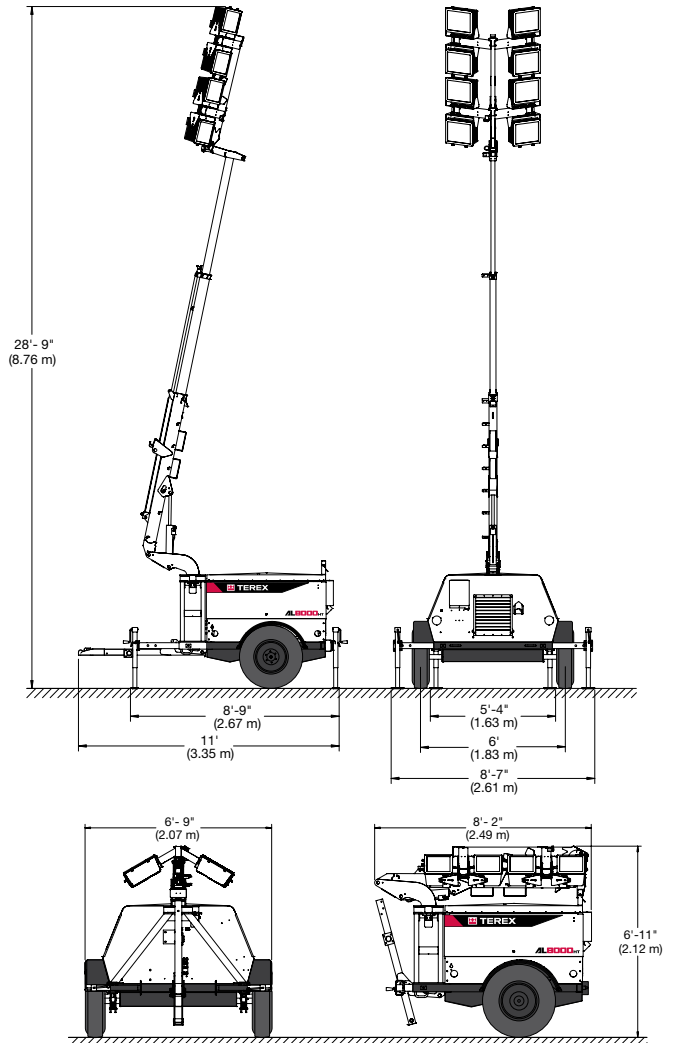
Dimensions



Optional Equipment

Brushless 50 Hz, 20 kW generator
Isuzu Diesel 34.5 hp engine
Block heater

Fuel line heater
Roda Deaco air shutdown system



For more information, product demonstration, or details on purchase, lease and rental plans, please contact your local Genie Distributor.



21 East Derrimut Crescent
Derrimut, Victoria 3030

FREECALL: 1800 234 235

Telephone: +613 8353 2566

Facsimile: +613 8353 2466

shane@ozequipment.com

Effective Date: May 1, 2008. Product specifications and prices are subject to change without notice or obligation. The photographs and/or drawings in this document are for illustrative purposes only. Refer to the appropriate Operator's Manual for instructions on the proper use of this equipment. Failure to follow the appropriate Operator's Manual when using our equipment or to otherwise act irresponsibly may result in serious injury or death. The only warranty applicable to our equipment is the standard written warranty applicable to the particular product and sale and we make no other warranty, express or implied. Products and services listed may be trademarks, service marks or trade-names of Terex Corporation, Genie Industries, Inc. and/or their subsidiaries in the U.S.A. and many other countries and all rights are reserved. Terex® is a Registered Trademark of Terex Corporation in the U.S.A. and many other countries. Genie® is a Registered Trademark of Genie Industries, Inc. in the U.S.A. and many other countries. Genie is a Terex Company. © 2008 Terex Corporation.